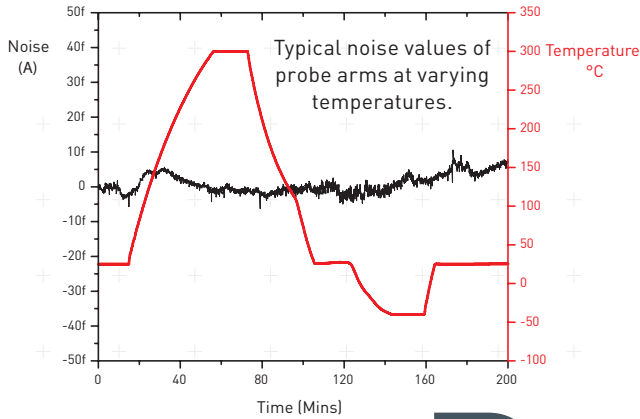


Cascade Microtech, Inc.

PRODUCT OVERVIEW



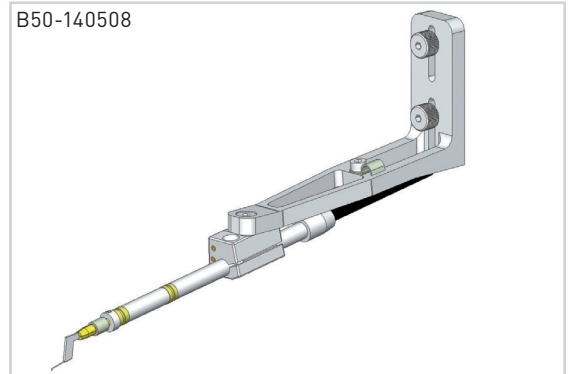
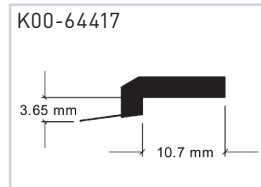
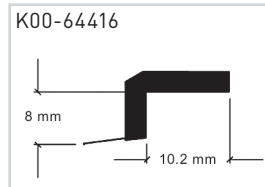
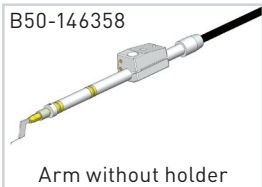
For precision DC probe alignment in EMI- and RFI-shielded enclosure

Probe Arms

For ProbeShield® Systems

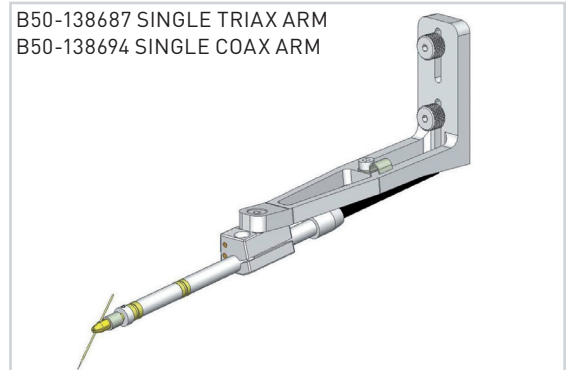
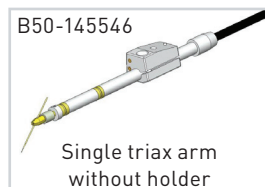
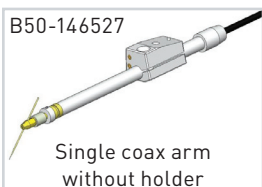
SINGLE TRIAX ARM / BLADES

- For Cascade Microtech's metal blades
- Easy Z-height adjustment 17 mm
- Integrated cable grip
- Length freely adjustable
- Replacement parts:
- 300°C capability
- Up to five fixed swivel positions
- CommonRing capability
- Easy to change single blades



SINGLE TRIAX ARM / SINGLE COAX ARM

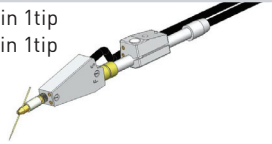
- For standard single probe tips
- Easy Z-height adjustment 17 mm
- Integrated cable grip
- Length freely adjustable
- Replacement parts:
- 300°C capability
- Up to five fixed swivel positions
- CommonRing capability



TRIAX KELVIN 1 TIP / COAX KELVIN 1 TIP

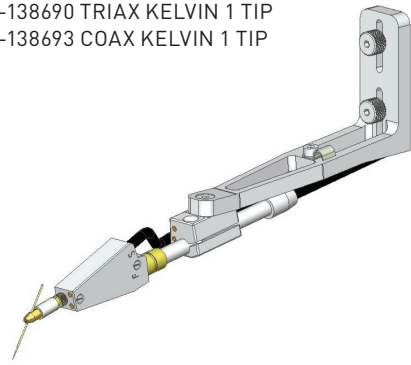
- For standard single probe tips
- Easy Z-height adjustment 17 mm
- Integrated cable grip
- Kelvin point on probe, guard connected
- Replacement parts:
- 300°C capability
- Up to five fixed swivel positions
- CommonRing capability
- Length freely adjustable

B50-146353 Probe Triax Kelvin 1tip
B50-145302 Probe Coax Kelvin 1tip



Arm without holder

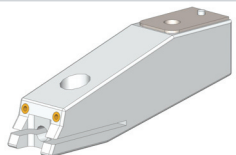
B50-138690 TRIAX KELVIN 1 TIP
B50-138693 COAX KELVIN 1 TIP



AP&T KELVIN

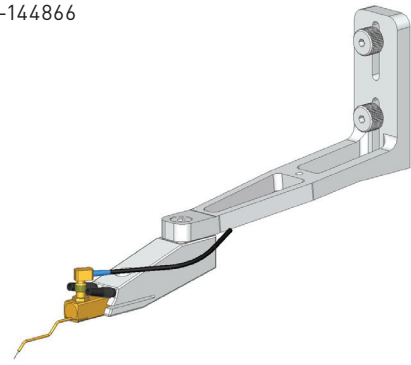
- For advanced coax probes
- Easy Z-height adjustment 17 mm
- Integrated cable grip
- With automatic leveling mechanism
- Two cables SSMC-triax included
- Replacement parts:
- 200°C capability
- Up to five fixed swivel positions
- CommonRing capability
- AP&T tips available separately
- With DCP-HTR tips capable up to 300°

B50-144978
Requires additional
adapter cable SSMC-triax
and CommonRing cables



AP&T holder

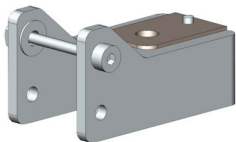
B50-144866



PICOPROBE ARM

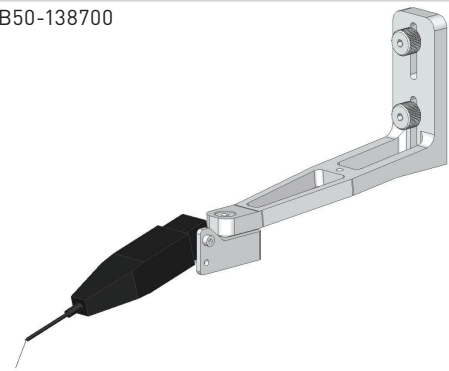
- For all Picoprobes models 10 to 34
- Easy Z-height adjustment 17 mm
- Integrated cable grip
- Replacement parts:
- 200°C capability
- Up to five fixed swivel positions
- Picoprobes available separately

B50-146528



Picoprobe holder

B50-138700



Data, design and specification depend on individual process conditions and can vary according to equipment configurations.
Not all specifications may be valid simultaneously.

© Copyright 2011 Cascade Microtech, Inc.
All rights reserved. Cascade Microtech and
ProbeShield are registered trademarks
of Cascade Microtech, Inc. All other
trademarks are the property of their own
respective owners.

Data subject to change without notice

Cascade Microtech, Inc.
Corporate Headquarters
toll free: +1-800-550-3279
phone: +1-503-601-1000
email: cmi_sales@cmicro.com

Germany
phone: +49-811-60005-0
email: cmg_sales@cmicro.com

Japan
phone: +81-3-5615-5150
email: cmj_sales@cmicro.com

China
phone: +86-21-3330-3188
email: cmc_sales@cmicro.com

Singapore
phone: +65-6873-7482
email: cms_sales@cmicro.com

Taiwan
phone: +886-3-5722810
email: cmt_sales@cmicro.com

ProbeArmsPS-SS-0411

www.cascademicrotech.com

